

Z RIVET RACKING ASSEMBLY INSTRUCTIONS

Tools and protective equipment

A Large rubber mallet

Protective gloves and Safety shoes

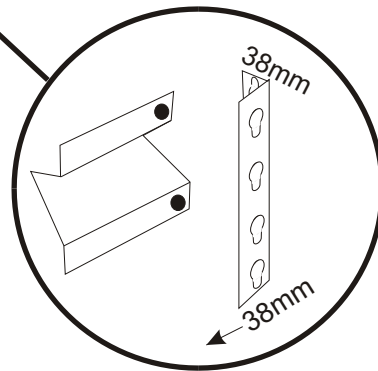
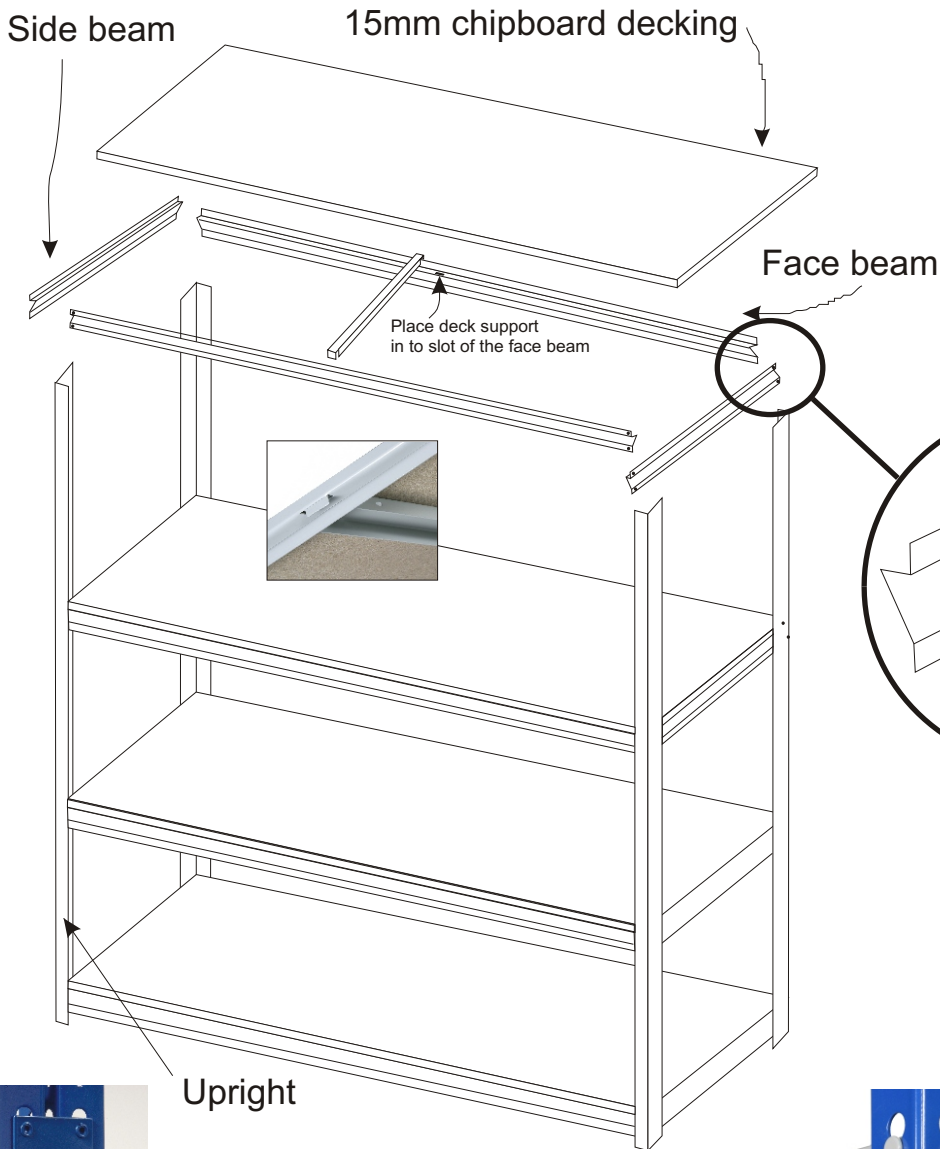
1)

Assemble the end frames first by taking two uprights and tapping in the side beams (with the step down at the top) at the required levels.

Now install each shelf completely starting from the bottom as follows :

2)

Locate the face beams at the same levels as the side beams (Step down to top).

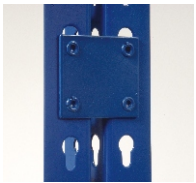


3)

With both face beams firmly tapped into position, now locate the deck support (see chart below)

4)

Now with two people, lay the chipboard panels onto the beams. When safe and secure move up to the next level and finish completely.



Upright

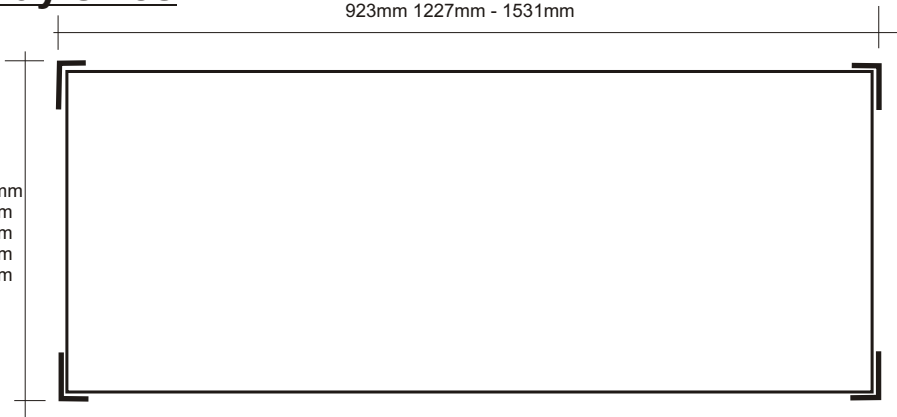
Tie plate (creates 10mm gap between bays)



Bay sizes

923mm 1227mm - 1531mm

1227mm
923mm
618mm
465mm
313mm



No of deck supports	
Depth	Deck Supports
305mm	0
457mm	0
610mm	0
762mm	1
915mm	1

Beam Capacities	
Width	Load UDL Kgs
915mm	300
1220mm	250
1525mm	200

If the height to depth ratio exceeds 4 : 1, we recommend fixing to the floor or back to a suitable wall